

1 2 3 4 5 6 7 8

F

E

D

C

B

A

F

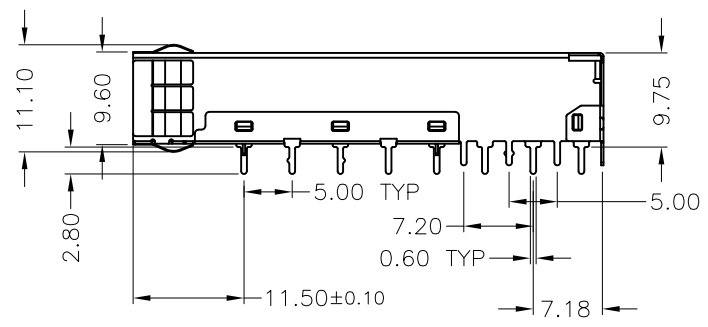
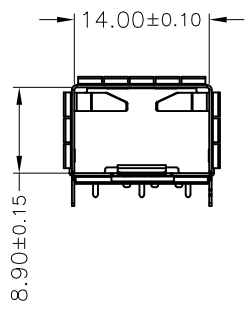
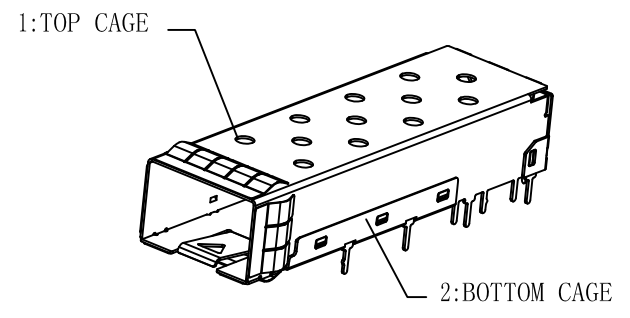
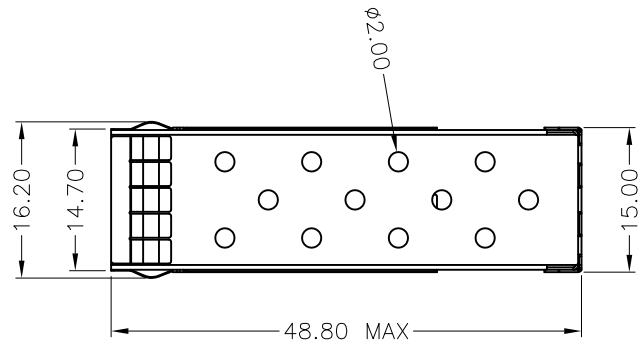
E

D

C

DIE ON: XXXXXX

SIZE: A4



NOTES:

- 1. MATERIAL:
TOP CAGE: COPPER ALLOY, THICKNESS 0.25mm
BOTTOM CAGE: SUS304, THICKNESS 0.25mm
- 2. TEMPERATURE :
OPERATION: -40° C ~ +85° C
STORAGE: -55° C ~ +105° C

ITEM	PARTS NAME	Q'TY	MATERIAL	FINISH/REMARK
1	TOP CAGE	1	COPPER ALLOY	NI 50U" MIN
2	BOTTOM CAGE	1	SUS	

REV.	ECN. NO.	DRAWN	DATE	EC.content
A	NEW	ALLEN	06/18/2020	-



⊗: QUALITY CONTROL ITEM	GENERAL TOLERANCE .X± 0.13 X."± 2' .XX± 0.08 .X"± 1' .XXX± 0.05	PART NO.: SF11-4010-XX3N
APPROVED		TITLE: SFP 1X1 CAGE
CHECKED		/
DRAWN	UNIT: mm	SCALE: 1:1 SHEET: 1/2 REV.: A.0

1 2 3 4 5 6 7 8

F

E

D

C

B

A

F

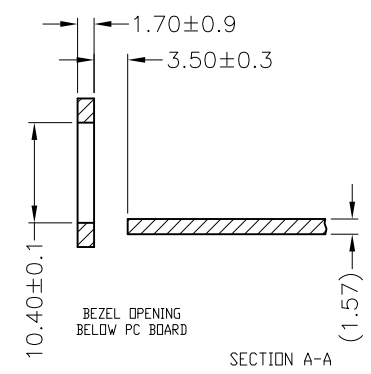
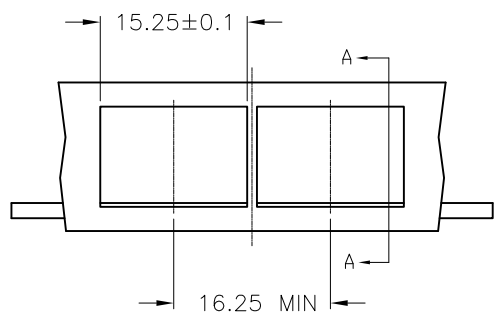
E

D

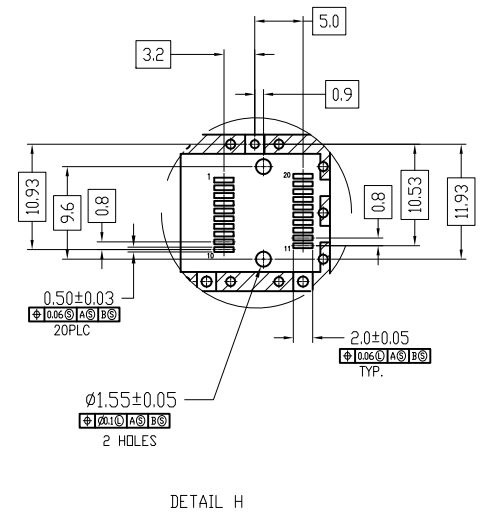
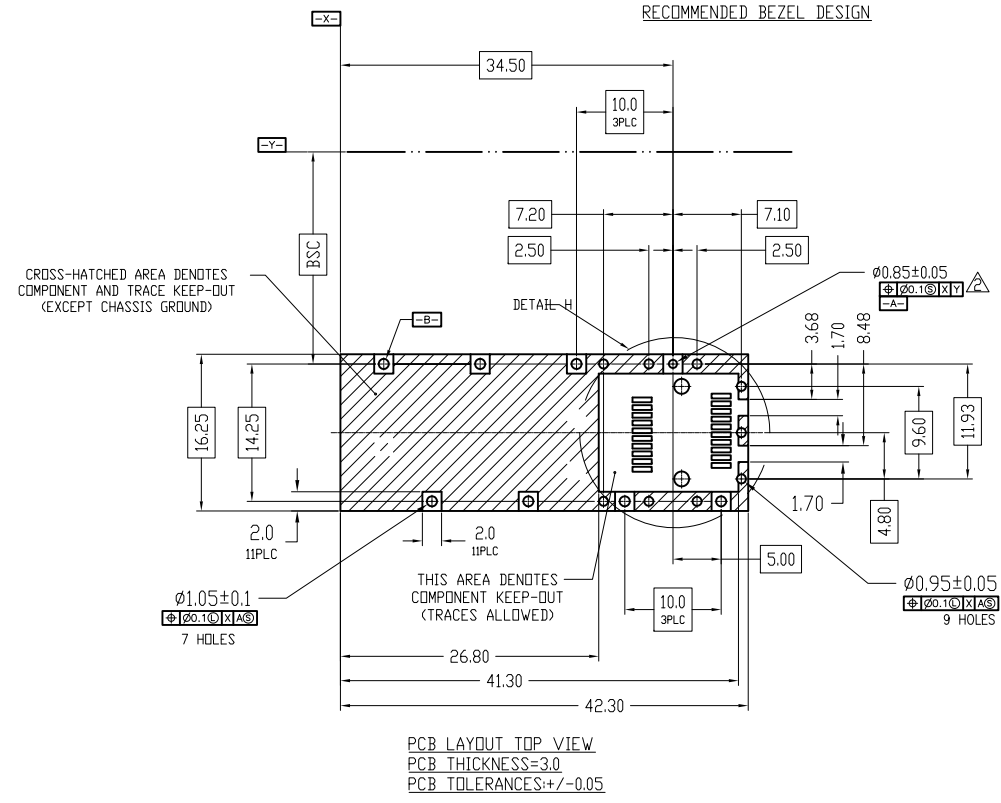
C

DIE ON: XXXXXX

SIZE: A4



RECOMMENDED BEZEL DESIGN



REV.	ECN. NO.	DRAWN	DATE	EC.content
A	NEW	ALLEN	06/18/2020	-



⊗: QUALITY CONTROL ITEM	GENERAL TOLERANCE .X± 0.13 X.'± 2' .XX± 0.08 .X'± 1' .XXX± 0.05	PART NO.: SF11-4010-XX3N		
APPROVED		TITLE: SFP 1X1 CAGE		
CHECKED		/		
DRAWN	UNIT: mm	SCALE: 1:1	SHEET: 2/2	REV.: A.0

説明: △ :備註 ◇ :版本變更 ④ :尺寸序號 ■ :重點尺寸 ▼ :CPK尺寸 DOCUMENT NO. : ZER0013/A.3

1 2 3